

FOOD SERVICE

ROTARY DRAINS: FOR 3-1/2" SINK OPENING, 1-1/2" OR 2" WASTE OUTLET

QUIK-FLO ROTARY DRAIN FOR 3-1/2 SINK OPENING, NICKEL PLATED BRASS AND STAINLESS – 1-1/2 OR 2" WASTE OUTLET

- Heavy-duty nickel plated solid brass
- Patented rotary valve provides fast, unobstructed water evacuation
- Twist-lock recessed removable beehive crumb-cup prevents clogging and insures continuous water flow
- Self-adjusting heat and chemical resistant Teflon® seals eliminate costly replacement of O-rings and conventional gaskets
- 3 times the flow rate of conventional lever drains
- Fits standard 3-1/2" (90 mm) sink opening
- Full opening ball valve allows access for snaking or plunging from sink top, eliminating costly service calls



Quik-Flo Rotary Drain, Nickel Plated Brass
PART # 40451230

ABS PLASTIC ROTARY DRAIN

PART # 53107098
(Drain assembly)
PART # 53101000
(Overflow assembly)



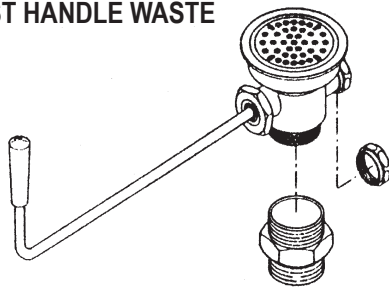
SOLID STAINLESS STEEL DRAIN

PART # 40800583

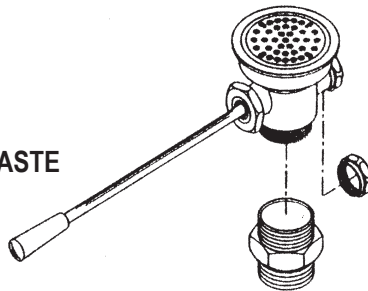
OVERFLOW ASSEMBLY FOR S/S OR NICKEL BRASS DRAIN

PART # 40451231

TWIST HANDLE WASTE



LEVER HANDLE WASTE



SINK OPENING	IPS	FACE FLANGE DIA.	PART #
3-1/2"	2" OR 1-1/2"	4-1/2"	40451003
3-1/2"	2" OR 1-1/2"	4-1/2"	40800493

DESCRIPTION
Twist handle waste with 1-1.4" overflow outlet OR seal cap when overflow tube is not installed
Lever handle waste with 1-1.4" overflow outlet OR seal cap when overflow tube is not installed

OVERFLOW ASSEMBLY

Overflow tube PART # 40800334
Overflow elbow assembly PART # 40451013



COMPLETE DRAIN ASSEMBLIES

SINK OPENING DIAMETER	IPS	FACE FLANGE DIAMETER	PART #	DESCRIPTION
3"	1-1/2"	4"	40451002	Lever handle waste with flat strainer
3-1/2"	1-1/2"	4-1/2"	53487300	Lever handle waste with flat strainer
3-1/2"	2"	4-1/2"	40451011	Lever handle waste with flat strainer
3-1/2"	2"	4-1/2"	53487410	Lever handle waste w/ flat strainer & overflow
3"	2"		40451015	Twist handle waste w/ overflow assembly
3-1/2"	1-1/2"	4-1/2"	40451010	Twist handle waste with flat strainer
3-1/2"	2"	4-1/2"	40451000	Twist handle waste with flat strainer



HOUSTON
800/392-5066

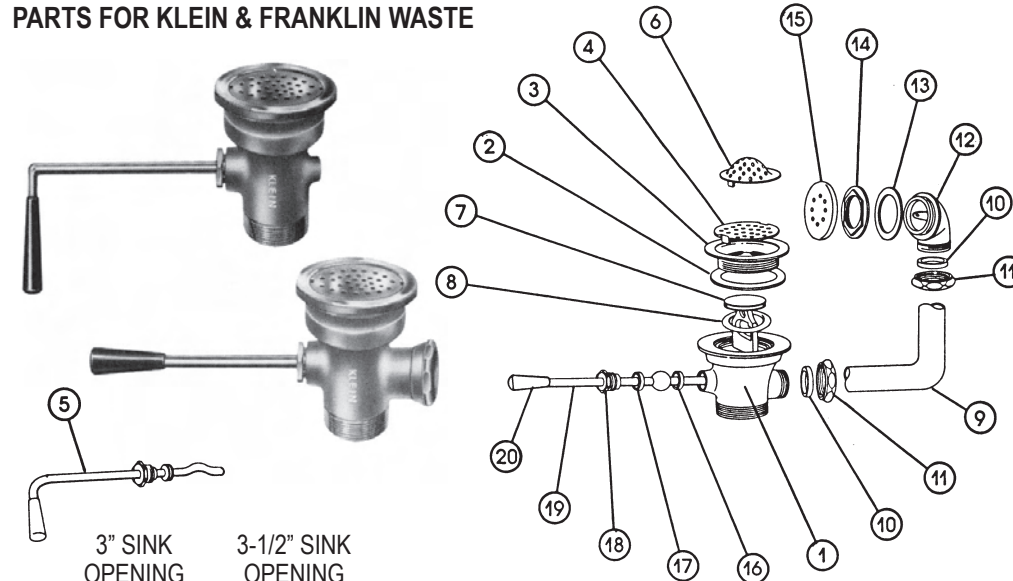
ORLANDO
800/327-3022

GREENVILLE
800/476-2212

LOOK FOR US ON THE WEB AT: www.TMSSouth.com

FOOD SERVICE

PARTS FOR KLEIN & FRANKLIN WASTE



ITEM #	3" SINK OPENING PART #	3-1/2" SINK OPENING PART #	DESCRIPTION
1			1-1/2" waste outlet body w/o overflow 2" waste outlet body w/o overflow
2	40800635	40800337	Head gasket
3	40451200	40451201	Face flange kit contains items, 2, 3, & 4
4	40451202	40800332	Flat strainer-stainless steel
5	40451008	40451008	Complete S/S handle assy – twist type
6	53291107	53291034	Beehive strainer – stainless steel
7	40451009	40451009	Stem valve
8	40950127	40950127	Stopper O-Ring
9	40800334	40800334	One piece overflow elbow
10	40950118	40950118	S.J. Washer
11	40800031	40800031	S.J. Nut
10-15	40451013	40451013	Overflow kit for 1-1/4" tubing
13	40451203	40451203	Gasket
14	40451204	40451204	Flanged locknut
15	40451205	40451205	Stainless steel strainer for overflow
16	40451206	40451206	Body bushing – lever model
17	40451014	40451014	Packing nut bushing – lever model
18	40451207	40451207	Packing nut, lever model
19	40451005	40451005	Complete lever handle assembly
20	40451208	40451208	Phenolic handle only-lever model
21	40451001	40451001	New style waste repair kit-3" or 3-1/2" (Contains items 2, 4, 16, 17, o-ring (8), clip and metal washer for twist handle.

STRAINER LOCKS

Prevents loss of Snap-in strainers
All stainless steel



PART # 40451209
Fits 3-7/16" diameter

PART # 40451210
Fits 3-1/8" diameter

Installs in seconds: simply drop the bar into the slot in the top ring and twist. Snap in strainer and insert screw.



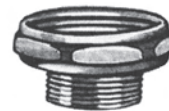
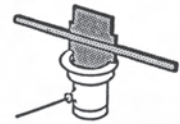
Supplied with standard and vandal-proof screws.



COMMERCIAL WASTE TOOL

For removal of face flange on either lever or twist handle waste. Heavy duty stainless steel construction. One side used on 3" sink opening waste and the other side for 3-1/2" sink opening.

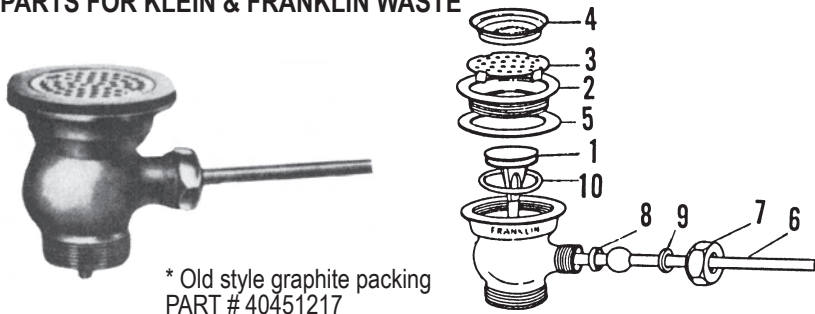
PART # 20401014



Reducer

2" NPS female to 1-1/2" NPS male
PART # 40451211
2" Rubber washer
PART # 44695050

PARTS FOR KLEIN & FRANKLIN WASTE



* Old style graphite packing
PART # 40451217

ITEM #	PART #	DESCRIPTION
1	40451212	Plunger
2		Flange – No longer available
3	40451213	Flat strainer
4	53293908	Crumbcup strainer
5	40800635	Flange washer
6	40451214	Handle assembly
7	40451215	Packing nut
8	40451216	Body bushing
9	40451217	Packing nut bushing
10	40950127	Plunger O-Ring
	40451218	Old style waste repair kit Contains items 5, 8, 9, & 10



TOTAL MAINTENANCE SOLUTIONS

HOUSTON
800/392-5066

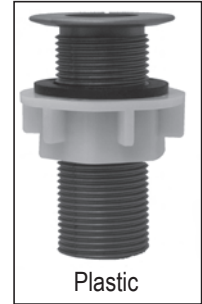
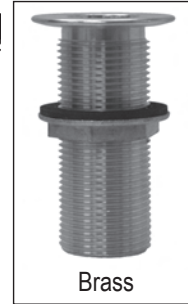
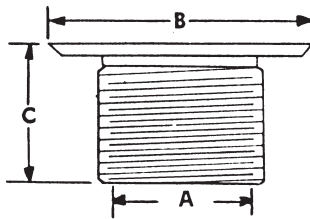
ORLANDO
800/327-3022

GREENVILLE
800/476-2212

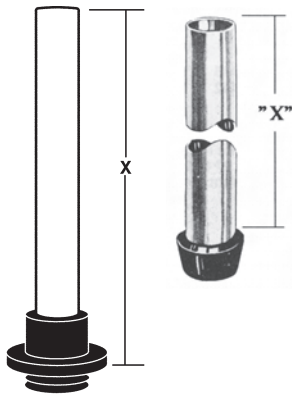
LOOK FOR US ON THE WEB AT: www.TMSSouth.com

HEAVY CAST DRAIN ASSEMBLIES

THREAD SIZE "A"	LENGTH "C"	FLANGE DIA. "B"	FINISH	PART #
1/2" NPS	2"	1-1/8"	Brass	47292002
3/4" NPS	1-5/8"	1-1/2"	Chrome	47292004
1" NPS	1-1/2"	2"	Brass	40800566
1" NPS	3-1/4"	2"	Brass	40800500
1" NPS	3-1/4"	2"	Poly resin	47208003
1-1/2" NPS	1-1/2"	3"	Brass	40451219
1-1/2" NPS	2-7/8"	3"	Poly resin	47208004



FOR COMPLETE LINE OF BASKET STRAINERS SEE SECTION 17

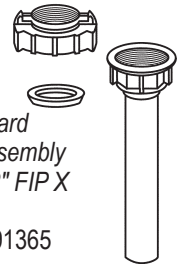


OVERFLOW TUBES

DRAIN SIZE	LENGTH "X"	TUBE MATERIAL	SEAT TYPE	PART #
1"	7-1/2"	Plastic	Rubber	40451220
1-1/2"	6-7/8"	Brass	Brass	2230280
1-1/2"	12"	CP Brass	Rubber	
1"	8-5/8"	Plastic	Rubber	40451220
1-1/2"	8-7/8"	Plastic	Rubber	40451222

SINK EXTENSION TUBE

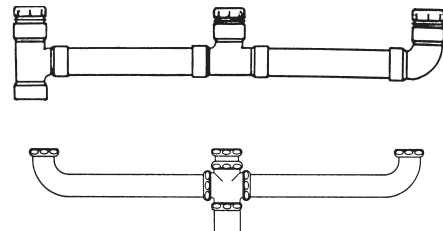
1/2" FIP
PART #
47291355
Adapter
Fits all standard
1/2" drain assembly
products. 1/2" FIP X
1-1/2" SJ
PART # 47291365



40451220
40451222

PART #	DESCRIPTION
40800463*	2" PVC End Outlet waste for 30" centers or less and 2" NPS drains
40451223*	2" PVC Center Outlet waste for 30" centers or less and 2" NPS drains
40451224	1-1/2" 20 GA C.O. waste-25" centers
50552763	1-1/2" 20 GA E.O. waste-25" centers

* Note PVC waste comes unassembled - gluing required



**KENCO DA-50 DRAIN
(DISCONTINUED -
PARTS NOT AVAILABLE)**



Did You Know?

Approximately 85% of United States residents receive their water from public water facilities. The remaining 15% supply their own water from private wells or other sources.

- Allaboutwater.org

**SEE OUR ANTIMICROBIAL PRODUCTS
TO HELP KEEP YOUR FACILITY GERM-FREE!**
SEE PAGES 2-5 and 9-13



**TOTAL
MAINTENANCE
SOLUTIONS**

HOUSTON
800/392-5066

ORLANDO
800/327-3022

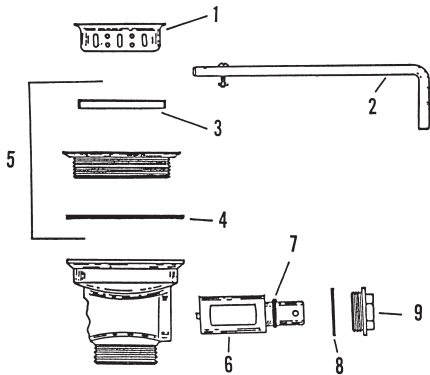
GREENVILLE
800/476-2212

LOOK FOR US ON THE WEB AT: www.TMSSouth.com

FOOD SERVICE

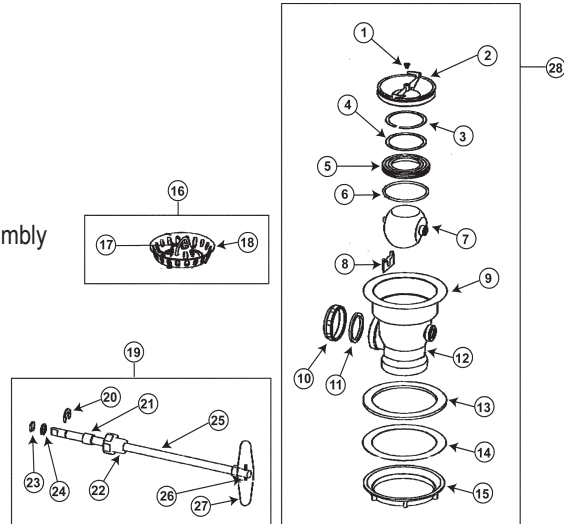
FISHER ROTARY WASTE PARTS

ITEM	PART #	DESCRIPTION
1	2230302	Basket strainer
2	2230275	Handle with screw & nut
3	2230304	Flat strainer
4	2230306	Gasket
5	2230308	Flat strainer assembly
6	2230310	Rotor with O-ring
7	2230312	O-ring
8	2230314	Gasket
9	2230316	End cup



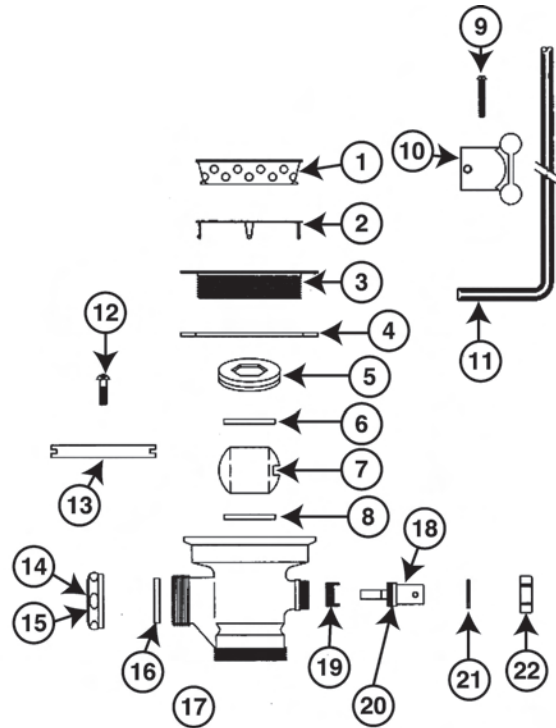
DRAINMASTER DSS-8000 STAINLESS STEEL DRAIN

ITEM	PART #	DESCRIPTION	ITEM	PART #	DESCRIPTION
1		Screw	24		D-ring
2		Retainer	25		Handle rod
3		Wave spring	26		Roll pin handle
4		Backup ring	27		Grip overmold assembly
5		Seat	28		Body assembly
6		O-ring	53291951		Repair kit (includes items 3, 5, 6, 8, 11, & 23)
7		Ball			
8		Trunion			
9		S/S body			
10		Cap			
11		Washer			
12		Label			
13		Head gasket			
14		Slip ring			
15		Flange nut			
16	53291955	Strainer assembly			
17		Ball			
18		Strainer			
19	53291953	Handle assembly			
20		E-ring (s/s)			
21		Bushing			
22		Handle nut			
23		Washer			



FISHER DRINKING REPLACEMENT PARTS

ITEM	PART #	DESCRIPTION
1		Basket strainer
2	40451051	Flat strainer
3	40451052	Clamping ring
4	2230306	Clamping ring gasket
5		Waste valve retaining nut
6	40451053	Teflon seal
7		Waste ball valve
8	40451053	Teflon seal
9		Screw
10		Vandal resistant knob
11	2230275	Lever handle
12	40451054	Vandal resistant screw
13	40451055	Vandal resistant bar
14		End cap
15		Slip joint nut
16		Slip joint washer
17		End cap gasket
18	40451056	Rotor arm
19	40451057	Rotor stop
20	40451058	O-ring
21	40451059	Washer
22		Rotor nut



Overflow elbow kit also available

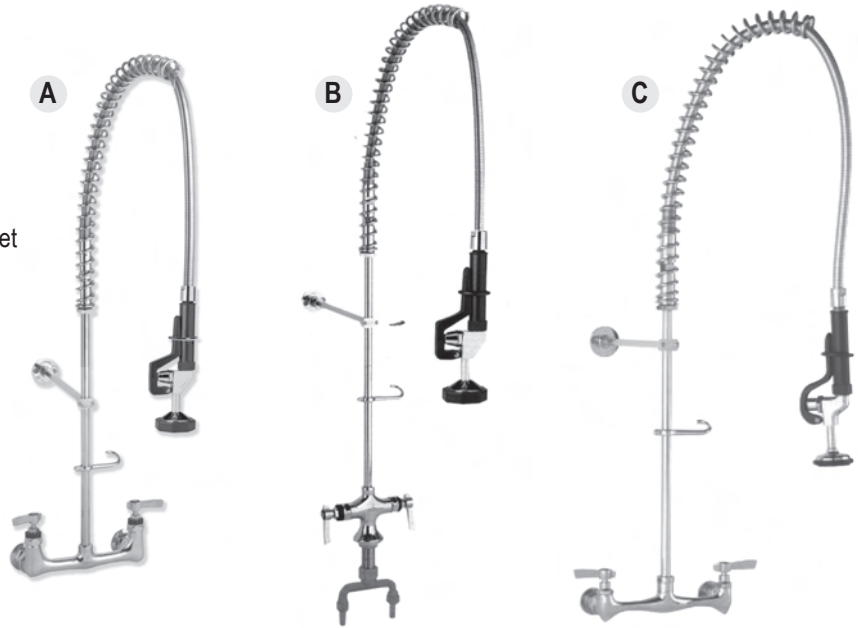
COMPONENT HARDWARE GROUP (CHG)

PRE-RINSE VALVES

A. Wall Mount Pre-Rinse Assembly
PART # 40310014

B. Deck Mount Pre-Rinse Valve
PART # 40310013

C. Economy wall Mount Pre-Rinse with Wall Bracket and 18" Riser
PART # 40451026



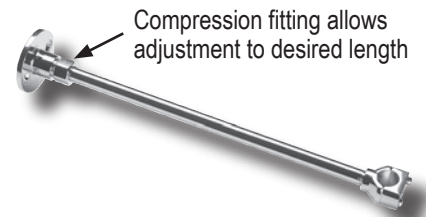
PRE-RINSE REPLACEMENT PARTS FROM CHG



SELECT-A-SPRAY PRE-RINSE HEAD ASSEMBLY
PART # 40120633



GRIP
PART # 40451032



WALL BRACKET ASSEMBLY
Long Rod
PART # 40451023

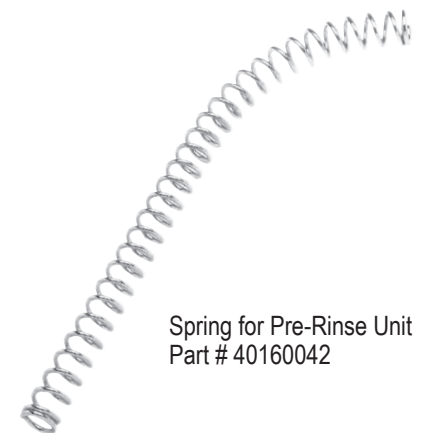


44" Universal Hose and Adapters
PART # 40120634
44" Universal Hose less Adapters
PART # 40310016



PRE-RINSE SPRAY VALVE REPAIR KIT

Includes universal button valve bumper, face plate, screw and washers as shown.
PART # 31485010



TOTAL MAINTENANCE SOLUTIONS

HOUSTON
800/392-5066

ORLANDO
800/327-3022

GREENVILLE
800/476-2212

LOOK FOR US ON THE WEB AT: www.TMSSouth.com

FOOD SERVICE

COMPONENT HARDWARE GROUP (CHG)

12" POT FILLER FAUCET

- Operating Temperature: 40 - 180°F
- Operating Pressure: 20 - 125psi
- Flow Rate: 35gpm @ 60psi
- Handle Treatment: Saniguard™ Inorganic Antimicrobial - Lasts the life of the product
- Polished Chrome Plated Brass
- 3/4" NPT Male Inlet
- Single hole deck mounting
- Full turn 3/4" Commercial Valves w/ Check Valve
- Full Flow 1" Diameter Spout



PART # 40451035

WALL MOUNT FAUCET WITH 6" SWIVEL GOOSENECK

- NSF listed
- New easy 1/4 Turn full open feature
- Furnished with both optional aerator and bubbler screen
- Specification grade quality
- Provided with 1/2" NPT female inlets

PART # 40451021



BACKSPLASH FAUCET

- NSF Listed
- New easy 1/4 Turn Full Open Feature
- The only 4" faucet with built-in check valves, to prevent back flow and offer positive seal
- High commercial quality
- International color coded hot and cold identifiers
- Shown with optional wrist blade handles (no. K50-0001)
- Solid heavy-duty cast bodies with 5" Gooseneck Faucet



PART # 40451020



DOUBLE PANTRY BASE FAUCET ASSEMBLY
PART # 40451027

ENCORE DIPPERWELL FAUCET MODEL K22-3100

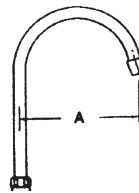
- 2" spout
- 1/2" pipe size with 1/4" tailpiece
- 1-3/8" long inlet

PART # 31482100



ENCORE SWIVEL GOOSENECK

PART #	DESCRIPTION
31481000	3-1/2" (A)
31481001	8-1/2" (A)
31481002	6" (A)



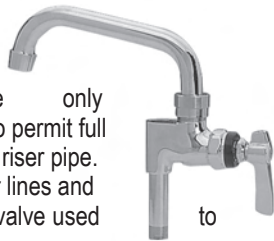
QUIK-WASH AUTOMATIC FAUCET CONTROL

Instant water shut-off eliminates waste!
Comes with adapter to fit 15/16" male or female spouts.
PART # 40120632



ADD-ON FAUCET

Add-on faucet extends flexibility of Pre-Rinse Assemblies by providing additional swivel spout capability. The only Add-on faucet designed specifically to permit full spout swing without interference with riser pipe. Easy installation, utilizing same water lines and controls as the Pre-Rinse. Separate valve used control spout flow.
PART # 40451028



ENCORE COMMERCIAL DUTY SWING SPOUTS

PART #	DESCRIPTION
31481006	6" swing
31481008	8" swing
31481012	12" swing
31481015	18" swing



COMBO BASE FAUCET ASSEMBLY
PART # 40451025



TOTAL MAINTENANCE SOLUTIONS

HOUSTON
800/392-5066

ORLANDO
800/327-3022

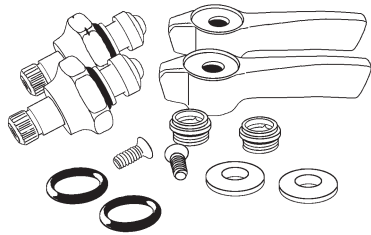
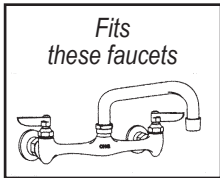
GREENVILLE
800/476-2212

LOOK FOR US ON THE WEB AT: www.TMSSouth.com

REPAIR KITS FROM COMPONENT HARDWARE GROUP

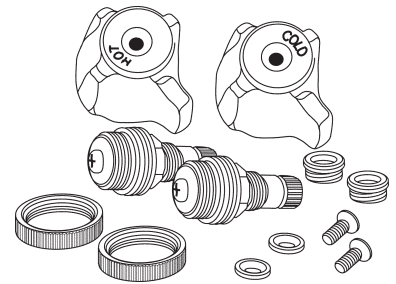
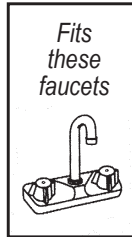
ENCORE FAUCET REPAIR KIT #1

PART # 40110158



ENCORE FAUCET REPAIR KIT #2

PART # 40120070



UNIVERSAL BUTTON VALVE ASSEMBLY

Kit includes all Parts to completely replace pre-rinse button valve assembly or knee/foot valve assembly

PART # 31481024



DECK FAUCET MOUNTING KIT

PART # 31481033



INLET NIPPLE KIT

PART # 40121032



ENCORE PRE-RINSE SPRAY VALVE ASSEMBLY

PART # 40120635



ENCORE HANDLE KIT WITH CARTRIDGE

PART #	DESCRIPTION
40451045	KN41 Series, Cold
40451046	KN41 Series, hot



40451034	KN50 Series, Cold
40451033	KN50 Series, Hot

ENCORE FAUCET HANDLE REPAIR KIT #3

Includes handle, screw, and hot & cold indicator buttons
PART # 31481022

Handle repair kit (pair) with Saniguard
PART # 40310009



ENCORE REPLACEMENT CARTRIDGES

PART #	DESCRIPTION	
31488002	KN41 & KN45 Series cold cartridge assembly	31488002
31488003	KN41 & KN45 Series hot cartridge assembly	
31488006	KN50 Series cold cartridge assembly	31488006
31488007	KN50 Series hot cartridge assembly	
40451047	KN45 Series ceramic cold cartridge assembly	
40451048	KN45 Series ceramic hot cartridge assembly	
40451049	KN50 Series cold ceramic cartridge assembly	
40451050	KN50 Series hot ceramic cartridge assembly	



CHG WRIST AND LEVER HANDLES

4" Wrist Handles for Chicago and Zurn
PART # 40310012

Lever Handles for Chicago and Zurn (not shown)
PART # 40310011

4" Wrist Handles for T&S and CHG (not shown)
PART # 40310010

Lever Handles for T&S and CHG (not shown)
PART # 40310009



TOTAL MAINTENANCE SOLUTIONS

HOUSTON
800/392-5066

ORLANDO
800/327-3022

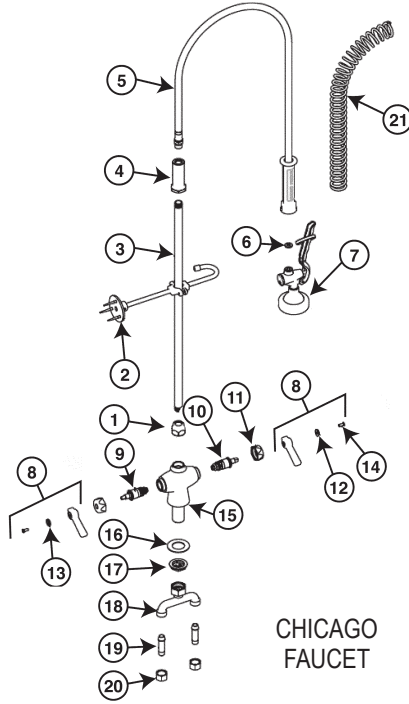
GREENVILLE
800/476-2212

LOOK FOR US ON THE WEB AT: www.TMSSouth.com

FOOD SERVICE

CHICAGO FAUCET SPRAY VALVES

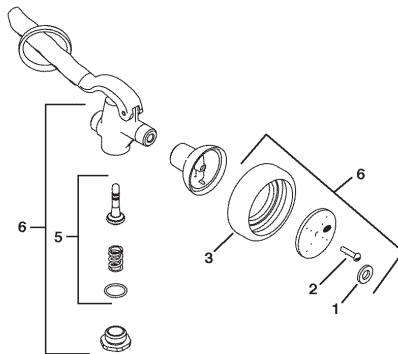
Chicago Faucet deck mounted pre-rinse with built-in back checks. Unit is 44" high with a 12" overhang.
TMS PART # 03150919



919-L PRE-RINSE

ITEM	PART #	DESCRIPTION
1		Adapter
2		Pipe Strap & hook assembly
3		Riser 3/8" x 23"
4	03150904	Guide shank
5	03150800	Hose and handle assembly
6		Gasket
7	40121050	Spray valve
8		Lever handle assembly (pair)
9	40120052	Quatern unit (LH)
10	40170053	Quatern unit (RH)
11	03151018	Cap nut
12	40110115	Index button (blue)
13	40110114	Index button (red)
14	40120619	Screw
15		Valve body (not sold separately)
16		Steel washer
17		Locknut
18		Connection assembly
19		Tailpiece
20		Coupling nut
21	03150900	Spring

CHICAGO FAUCET



CHICAGO FAUCET SPRAY HEAD 80-L

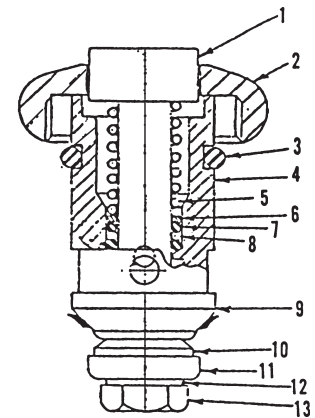
ITEM	PART #	DESCRIPTION
1		Gasket
2		Screw
3		Rubber bumper
4		Spray face, bumper, gasket & screw
5		Renewal kit, valve stem assembly
6		Pre-rinse valve, less spray



Spray valve for Chicago Faucet Pre-Rinse units.
TMS # 40121050

PUSH BUTTON UNIT PARTS

ITEM	PART #	DESCRIPTION
1	40121051	Stem & bonnet assembly
2	03151632	Cap
3	40950026	O-Ring
4	03151565	Sleeve
5	40120655	Spring
6	03151275	Washer
7	03150360	O-Ring (2)
8	40120658	Washer
9	40110172	Seat
10	40120252	Washer
11	40110173	Retainer
12	40110167	Washer
13	40120261	Nut



CHICAGO FAUCET # 80
OLD STYLE



CHICAGO FAUCET PRE-RINSE REPLACEMENT HOSE

PART # 03150800
44" Flexible S/S hose

PART # 40120665
58" Flexible S/S hose



HOUSTON
800/392-5066

ORLANDO
800/327-3022

GREENVILLE
800/476-2212

LOOK FOR US ON THE WEB AT: www.TMSSouth.com

FOOD SERVICE



CHICAGO FAUCETS

Back mounted sink faucet 12" swing spout,
8" centers 1/2" IPS female flanged inlet.
TMS # 40121052



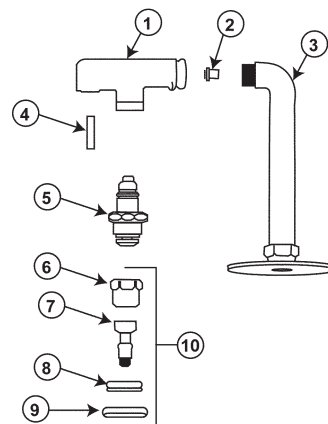
Wall mounted service sink faucet with cast swing spout, soap dish
and 2.2 gpm Pressure Compensating Softflo Aerator
PART # 40120667



Back mounted sink faucet 6" swing spout,
adjustable supply arms (8"), 1/2" IPS
female flanged inlet.
TMS # 03159445

CHICAGO FAUCET 709 GLASS FILLER

ITEM	PART #	DESCRIPTION
1		Valve body
2	03153134	Flow control assembly
3		Angle type shank
4		Anti-splash screen
5	40121053	Glass filler less dashpot
6		Bonnet
7		Handle
8		Disc
9		Ring
10	03153130	Handle assembly



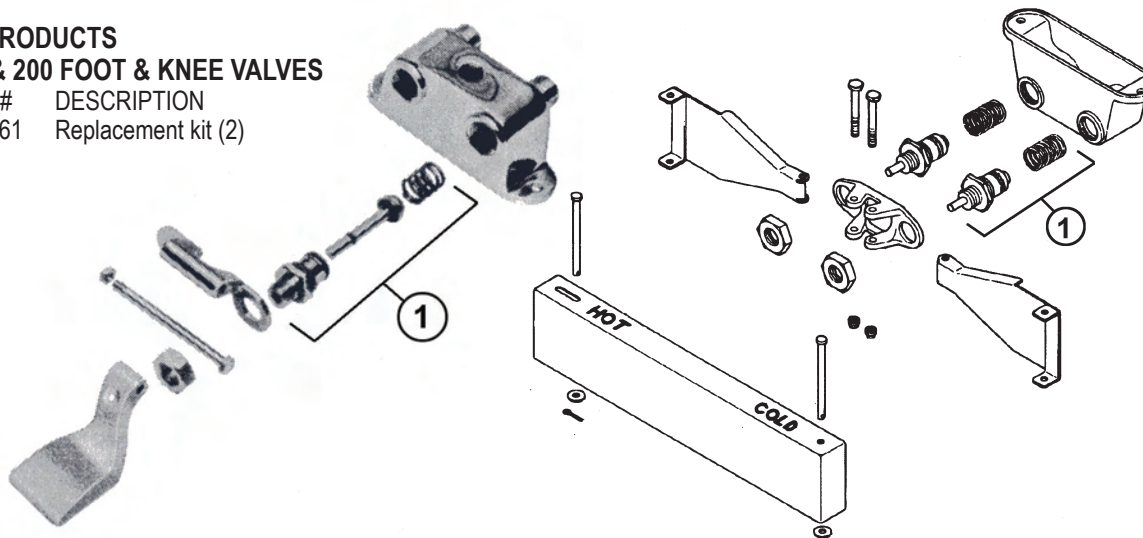
Single wall fitting with 6"
swing spout.
1/2" IPS female shank.
TMS # 03150332



Deck mounted service sink
faucet with rigid/swing goose-
neck spout.
PART # 40120626

**COLUMBIA PRODUCTS
SERIES 100 & 200 FOOT & KNEE VALVES**

ITEM	PART #	DESCRIPTION
1	33011061	Replacement kit (2)



**TOTAL
MAINTENANCE
SOLUTIONS**

HOUSTON
800/392-5066

ORLANDO
800/327-3022

GREENVILLE
800/476-2212

LOOK FOR US ON THE WEB AT: www.TMSSouth.com

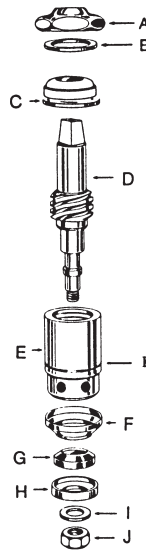
FOOD SERVICE

CHICAGO FAUCETS QUATURN STEM UNIT

ITEM	PART #	DESCRIPTION
A	40110188	Cap
B	40120660	Gasket
C	40110174	Packing Assy.
D	1-111K	Right hand stem
	1-110K	Left hand stem
E	40121054	Right hand sleeve
	40121055	Left hand sleeve
F	40110172	Seat
G	40120049	Washer
H	40110173	Retainer
I	40110167	Washer
J	40120261	Nut
K	40950027	O-Ring (older stems only)



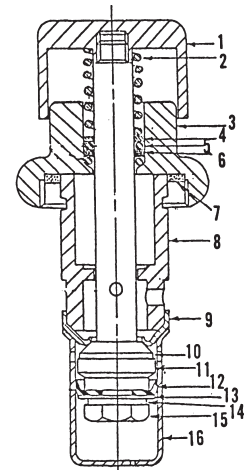
CHICAGO FAUCETS



Parts kit for Quatern stem – Contains one each of B, C, F, G, H, I, J TMS PART # 40121056

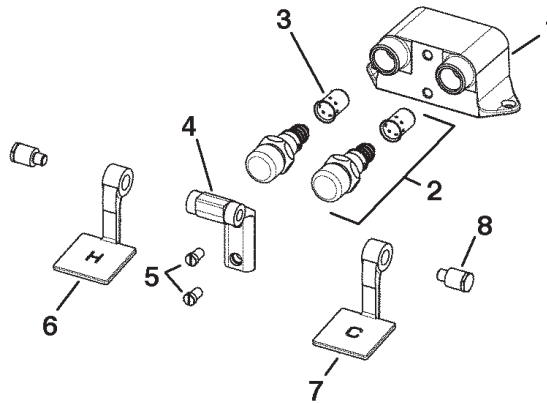
CHICAGO FAUCETS 628-X UNIT FOR 625 PEDAL VALVE

ITEM	PART #	DESCRIPTION
1	03151416	Button & Stem
2	40120655	Spring
3	40120659	CP Cap
4	03151275	Washer
5	40120657	O-Ring (2)
6	40120658	Leather washer
7	40120660	Gasket
8	433-46	Sleeve
9	40110172	Monel seat
10	40120252	Washer
11	40120661	Retainer
12	40120662	Cup
13	40120663	Washer
14	40110167	Washer
15	40120261	Nut
16	40120664	Dashpot
	40120627	Self-closing repair kit for 2 cartridges



625 PEDAL VALVE

ITEM	PART #	DESCRIPTION
1		Valve body (not sold separately)
2	40170011	Cartridge
3	40120664	Dashpot
4	03150590	Bracket
5	03150560	Screw
6	03150570	Hot pedal
7	03150610	Cold pedal
8	03150600	Bolt

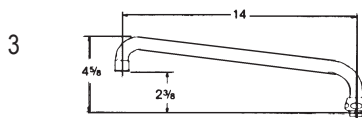
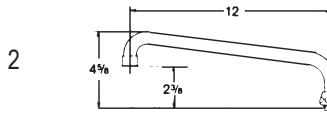
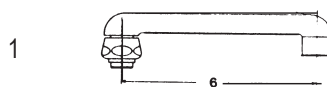


CHICAGO FAUCETS SWING SPOUTS

ITEM	PART #	DESCRIPTION
1	03150760	6" Swing Spout
2	40120229	12" Swing Spout
3	03150764	15" Swing Spout

PART #	DESCRIPTION
40110111	Softflo aerator
40110122	Adapter-Chicago spout to 15/16 male aerator thrd. Allows use of large female aerator on Chicago spouts
40110016	15/16 female aerator

40110111



A COMPLETE LINE OF CHICAGO FAUCETS IS AVAILABLE FROM TMS

Did You Know?

There are a total of about 326 million cubic miles of water on the Earth.

– AllAboutWater.org



TOTAL MAINTENANCE SOLUTIONS

HOUSTON
800/392-5066

ORLANDO
800/327-3022

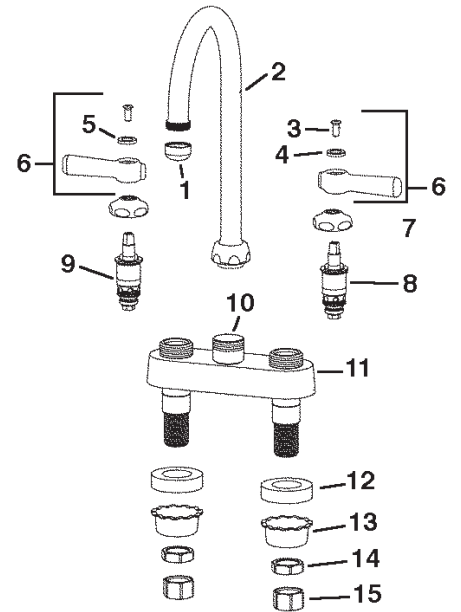
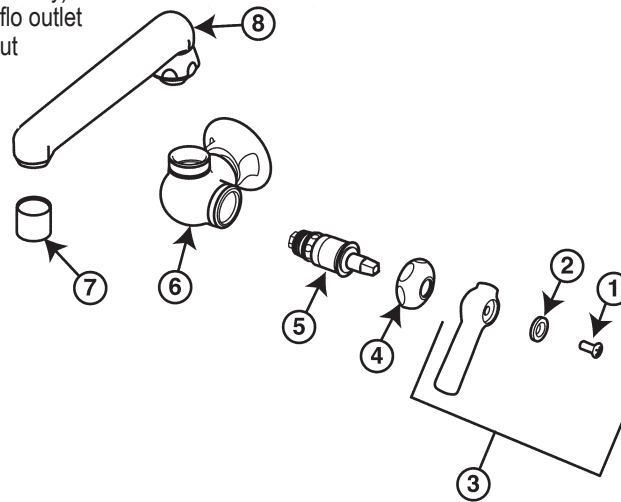
GREENVILLE
800/476-2212

LOOK FOR US ON THE WEB AT: www.TMSSouth.com

FOOD SERVICE

WALL MOUNTED SINGLE WATER INLET FAUCET 332-CP

ITEM	PART #	DESCRIPTION
1		Screw
2	40110115	Index button (blue)
3	40120062	Cold lever handle assembly
4	40110188	Cap
5	40120053	Cartridge
6		Valve body (not sold separately)
7	40110022	Softflo outlet
8	03150760	Spout

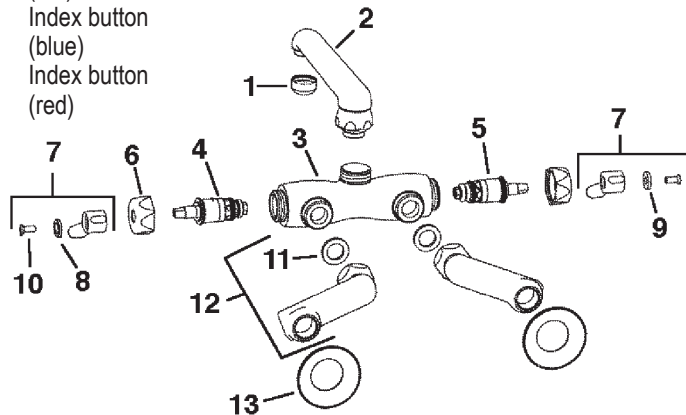


DECK MOUNTED SERVICE SINK FAUCET 526-GN2AE1

ITEM	PART #	DESCRIPTION
1	40110111	Outlet
2	40120083	Gooseneck spout
3	40120619	Screw
4	40110115	Index button (blue)
5	40110114	Index button (red)
6	40120062	Lever handle assembly (cold)
	40120061	Lever handle assembly (hot)
7	40110188	Cap
8	40120053	Cartridge (RH)
9	40120052	Cartridge (LH)
10		Adapter
11		Valve body (not sold separately)
12		Washer
13	40800629	Basin cock washer
14	40800598	Locknut
15	40800454	Coupling nut

WALL MOUNTED SERVICE SINK FAUCET 445-E1

ITEM	PART #	DESCRIPTION	ITEM	PART #	DESCRIPTION
1		Outlet	10	40120619	Screw
2	03150760	Spout	11	03150140	Washer
3		Valve body (not sold separately)	12		"H" arm assembly
4	40120053	Cartridge (RH)			
5	40120052	Cartridge (LH)			
6		Cap nut			
7	40120062	Lever handle assembly (cold)			
	40120061	Lever handle assembly (hot)			
8	40110115	Index button (blue)			
9	40110114	Index button (red)			



**TOTAL
MAINTENANCE
SOLUTIONS**

HOUSTON
800/392-5066

ORLANDO
800/327-3022

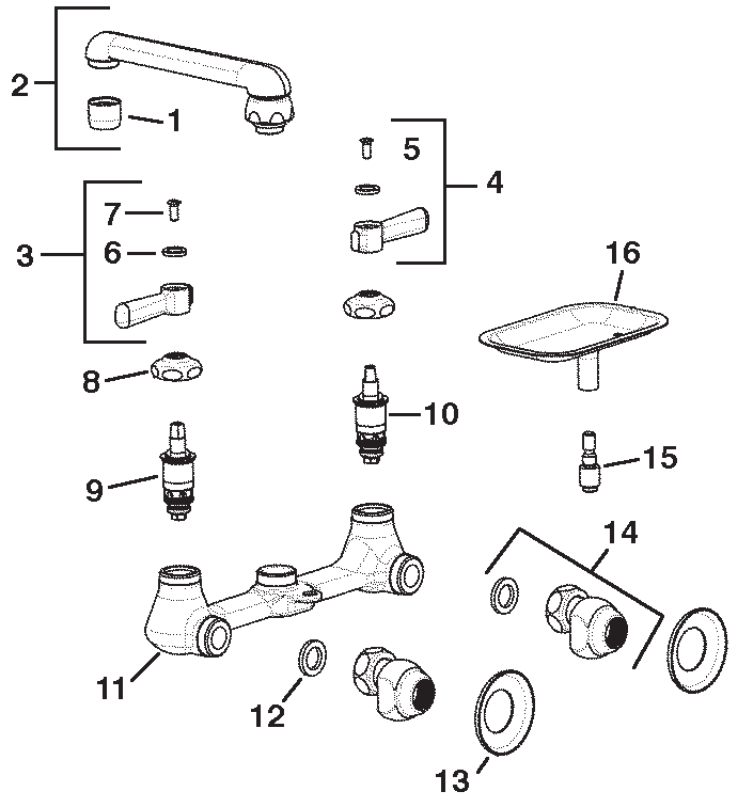
GREENVILLE
800/476-2212

LOOK FOR US ON THE WEB AT: www.TMSSouth.com

FOOD SERVICE

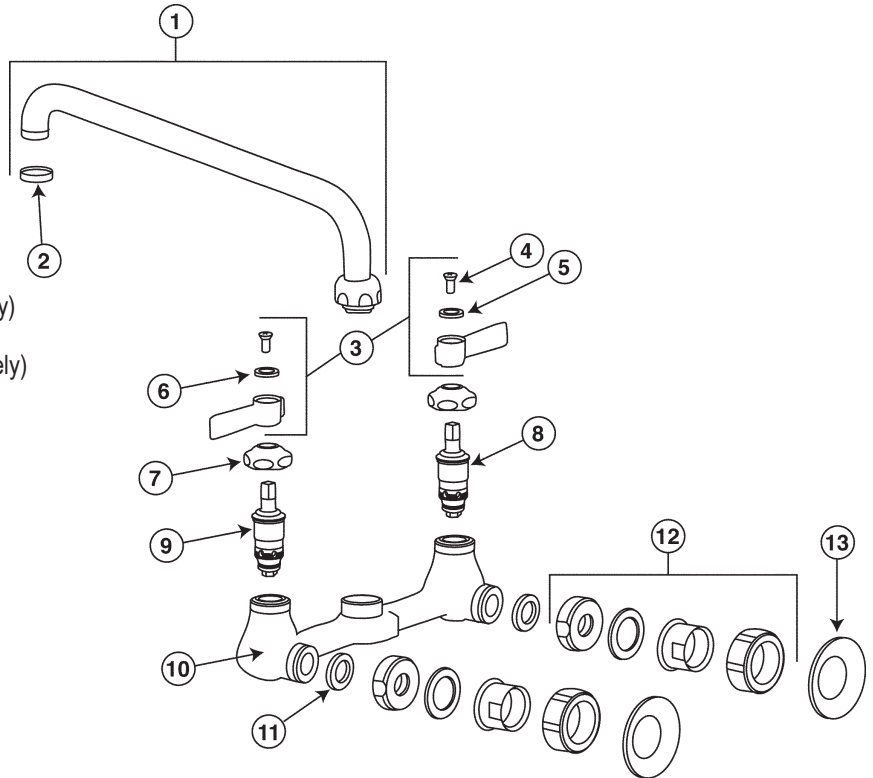
WALL MOUNTED SERVICE SINK FAUCET 540-CP

ITEM	PART #	DESCRIPTION
1	40110111	Softflo outlet
2	03150760	Spout assembly
3	40120062	Lever handle assembly (cold)
4	40120061	Lever handle assembly (hot)
5	40110114	Index button (red)
6	40110115	Index button (blue)
7		Screw
8	40110188	Cap
9	40120053	Cartridge (RH)
10	40120052	Cartridge (LH)
11		Valve body (not sold separately)
12	03150140	Washer
13	03151026	Flange
14		'G' arm (includes washer)
15	03151022	Soap dish post
16	03151020	Soap dish assembly



WALL MOUNTED SERVICE SINK FAUCET 540-LDL12-1-159-3/4

ITEM	PART #	DESCRIPTION
1	40120229	Spout
2	40110111	Spout outlet
3	40121057	Hot/Cold horizontal handle
4	40120619	Screw
5	40110114	Button, red index (hot)
6	40110115	Button, blue index (cold)
7	40110188	Cap
8	40120052	Cartridge (LH)
9	40120053	Cartridge (RH)
10		Valve body (not sold separately)
11	03150140	Rubber washer
12		3/4" adapter (not sold separately)
13	03151026	Flange



**TOTAL
MAINTENANCE
SOLUTIONS**

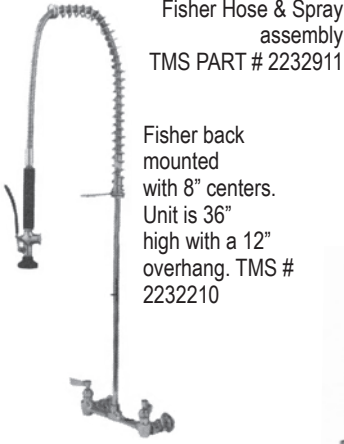
HOUSTON
800/392-5066

ORLANDO
800/327-3022

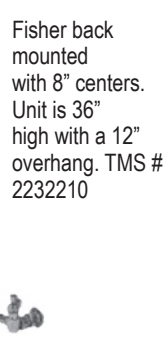
GREENVILLE
800/476-2212

LOOK FOR US ON THE WEB AT: www.TMSSouth.com

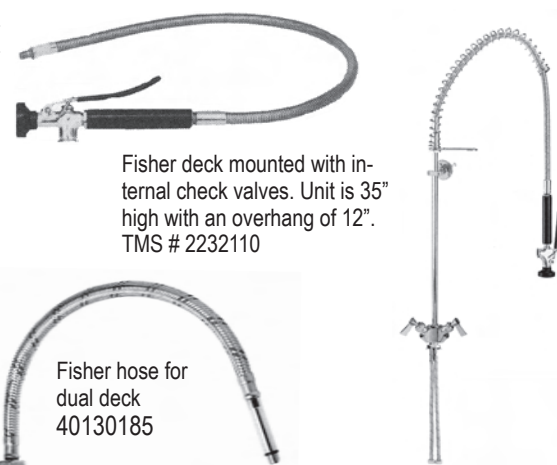
FISHER SPRAY VALVES




Fisher Hose & Spray assembly
TMS PART # 2232911




Fisher back mounted with 8" centers. Unit is 36" high with a 12" overhang. TMS # 2232210




Fisher deck mounted with internal check valves. Unit is 35" high with an overhang of 12". TMS # 2232110



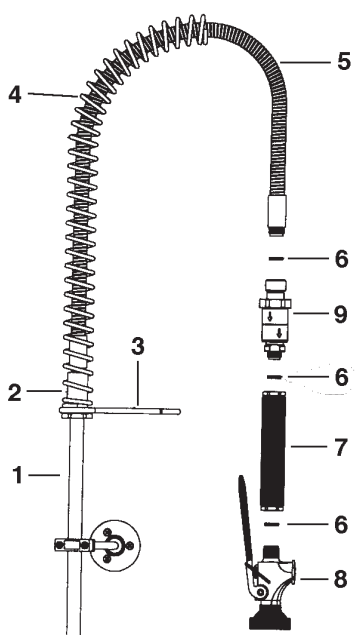
Fisher hose for dual deck
40130185



Spray valve for Fisher Pre-Rinse units.
TMS # 2230220



Water saver spray valve for Fisher Pre-Rinse units.
TMS # 2230210

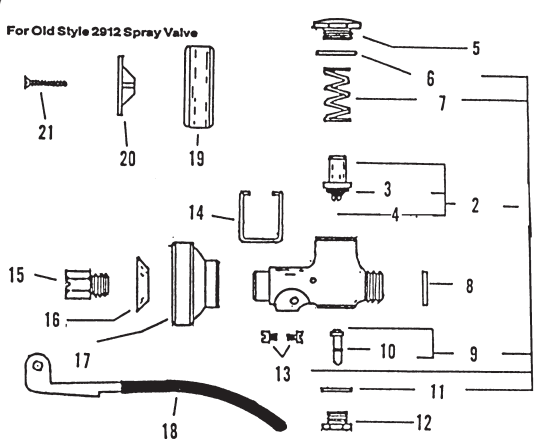


FISHER FAUCET MODEL 2110

ITEM	PART #	DESCRIPTION
1	2230450	21-3/4" Riser
2	2230452	Hose to pipe adapter
3	2230454	Hose hook
4	2230456	Spring
5	2230246	36" S/S hose
6	2230458	Gasket
7	40130041	Handle
8	2230220	Spray valve(2990)
	2230221	Ultra spray valve (2949)
9		Back flow preventer

FISHER 2990 & 2949



ITEM	PART #	DESCRIPTION
1	2230230	Basic valve repair kit
2	2230400	Retainer assembly
3	40110129	Seat washer
4	50100019	Seat screw
5	1000-3301	Bonnet nut
6	1000-5001	Bonnet washer
7	2230434	Spring
8	40800845	Gasket
9	2230402	Lift pin
10	40950126	O-Ring
11	2909-5000	Gasket
12	2230404	Lift pin retainer
13	2912-7501	Screw
14	2230406	Spring clip
15	2230408	Nozzle for 2990
	2230410	Nozzle for 2949
16	2230412	Cup washer
17	2230414	Black bumper
	2230416	Blue bumper
18	2230240	Squeeze lever
19	NLA	Dish guard bumper
20	NLA	Spray face
21	2230420	Screw



For Old Style 2912 Spray Valve

FISHER PRE-RINSE REPLACEMENT HOSES

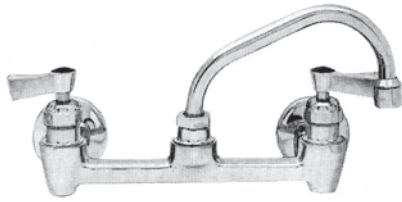
PART #	DESCRIPTION
2230254	15-1/2" Flex S/S hose
2230246	36" Flexible S/S hose
2230256	25-1/2" Flexible S/S hose

ADAPTERS - HOSE TO PRE-RINSE

PART #	DESCRIPTION
18860172	T&S to Fisher
18860442	T&S to Chicago
2230252	Fisher to T&S

FOOD SERVICE

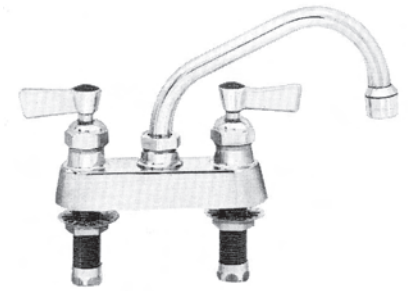


Sink mixing faucet w/12" swing spout, 8" centers backmount, 1/2" IPS female flanged inlet.
TMS # 2233253

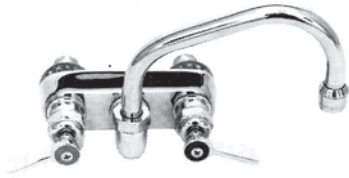
FISHER



Add-on faucet with 12" swing spout.
TMS # 2232912



4" Deck mount faucet, 1/2" IPS shanks with 6" swing spout.
TMS # 2233510



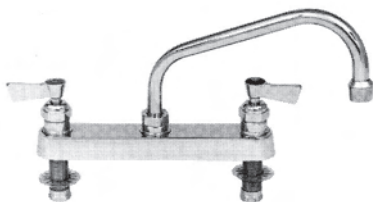
Wall mount faucet, 4" centers, 1/2" IPS shank, 6" spout.
TMS # 2233610



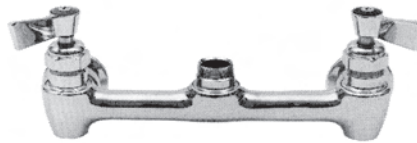
Pushback glass filler with 3/8" NPT male shank.
TMS # 2231007



Base faucet for 2110 Pre-Rinse unit.
1/2" slip joint inlets.
TMS # 2232100



Deck mount faucet, 8" centers, 1/2" IPS shank and 12" spout.
TMS # 2233313



Base faucet for 2210 Pre-Rinse unit.
8" centers with 1/2" NPT female shank.
TMS # 2232200

Did You Know?

- It takes 2 gallons to brush your teeth.
- It takes 2 to 7 gallons to flush a toilet.
- It takes 25-50 gallons to take a shower.
- It takes about 1 gallon of water to process a quarter pound of hamburger.
- It takes 2,072 gallons of water to make four new tires.

(If you need some water saving ideas, just call us!)



HOUSTON
800/392-5066

ORLANDO
800/327-3022

GREENVILLE
800/476-2212

LOOK FOR US ON THE WEB AT: www.TMSSouth.com

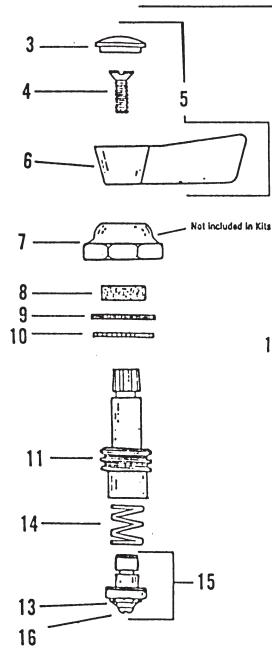
FISHER 1/2" CHECK STEM AND 1/2" SWIVEL STEM

Stem components for all Fisher faucets with 1/2" inlets.
 Pre-Rinse faucets, Service sink and most Lab faucets use Check Stems.
 All other faucets use Swivel Stems.

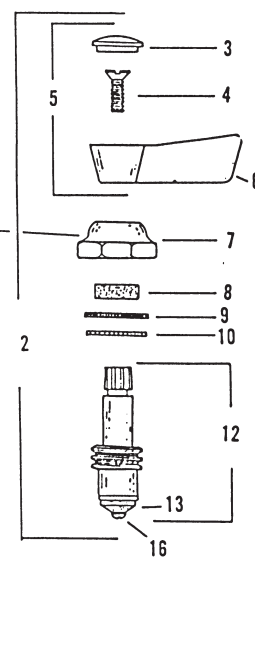


ITEM	PART #	DESCRIPTION
1	40130144	RH check stem repair kit
	40130145	LH check stem repair kit
2	40130146	RH swivel stem repair kit
	40120618	LH swivel stem repair kit
3	40130049	Hot button
	40130048	Cold button
4	50100030	Handle screw
5	2230284	Lever handle assembly
6	2000-2301	Lever handle
7	40130037	Bibb cap
8	41580140	Packing
9	2230288	Fibre washer
10	40130050	S/S washer
11	2230292	LH check stem
	2230294	RH check stem
12	40130045	LH swivel stem
	40130043	RH swivel stem
13	40110129	Seat washer
14	2230300	Spring
15	2230425	Retainer assembly
16	50100019	Bibb screw

1/2" Check Stem



1/2" Swivel Stem

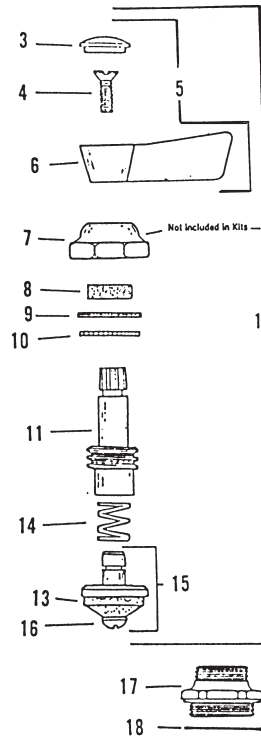


FISHER 3/4" CHECK STEM AND 3/4" SWIVEL STEM

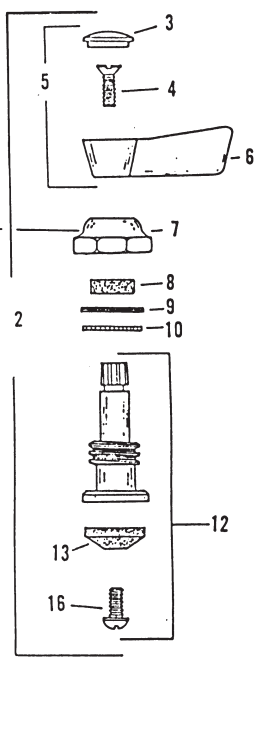
Stem components for all Fisher faucets with 3/4" inlets.

ITEM	PART #	DESCRIPTION
1	2230426	R.H. 3/4 check valve stem kit
	2230428	L.H. 3/4 check valve stem kit
2	40130136	R.H. 3/4 swivel stem kit
	40130137	L.H. 3/4 swivel stem kit
3	40130049	Hot button
	40130048	Cold button
4	50100030	Handle screw
5	2230284	Lever handle assy.
6	2000-2301	Lever handle
7	40130037	Bibb cap
8	41580140	Packing
9	2230288	Fibre washer
10	40130050	S/S washer
11	2230292	L.H. check stem
	2230294	R.H. check stem
12	2230317	L.H. 3/4 swivel stem
	2230318	R.H. 3/4 swivel stem
13	42691105	Seat washer
14	2230300	Spring
15	2230320	Retainer assy. 3/4 ck. stem.
16	50100019	Bibb screw
17	2230322	R.H. 3/4 stem adapter
	2230324	L.H. 3/4 stem adapter
18	2230326	Stem adapter gasket

3/4" Check Stem



3/4" Swivel Stem



TOTAL MAINTENANCE SOLUTIONS

HOUSTON
800/392-5066

ORLANDO
800/327-3022

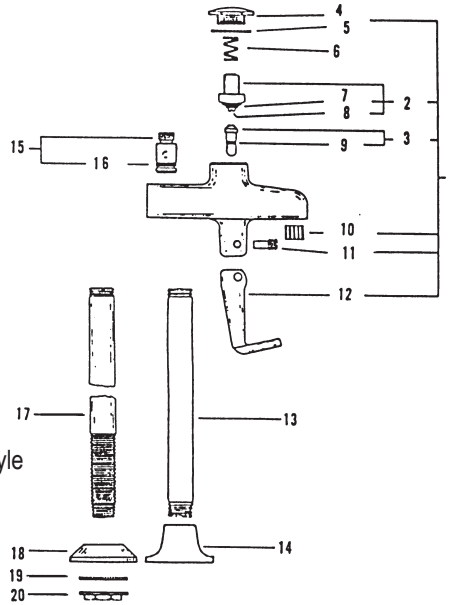
GREENVILLE
800/476-2212

LOOK FOR US ON THE WEB AT: www.TMSSouth.com

FOOD SERVICE

GLASS FILLER PARTS

ITEM	PART #	DESCRIPTION
1	2230462	Repair kit
2	2230400	Retainer assembly
3	2230402	Lift pin
4	1000-3301	Bonnet nut
5	1000-5001	Washer
6	1000-6001	Spring
	2900-600	Spring paper cups
7	40110129	Seat washer
8	50100019	Seat screw
9	40950126	O-Ring
10	2230464	Flow control
11	1000-3416	Axle screw
12	2230468	Prong
13	1000-4307	8" riser
14	1000-2304	3/8" riser base
	1000-23-5	1/2" riser base
15	2230470	Volume cock assy
	1000-0002	Volume cock assy.-old style
	1000-3302	Nut for old style cock
16	2230472	O-Ring
	1000-5004	O-Ring for old style cock
17	1000-4302	8" G.F. Riser
	1000-4303	10" G.F. Riser
18	1000-3321	Base flange
19	1000-5012	Washer
20	3042-3002	Locknut



CONSERVE WATER AND ENERGY AND LOWER SEWER COSTS!

FISHER PRE-RINSE SPRAY VALVE

Solid brass "showerhead" spray nozzle – no leaking o-rings! High-strength bronze alloy (not plastic!) insulated handle. 1.60 GPM @ 80 psi provides efficient pre-rinsing of dishes, trays, etc.

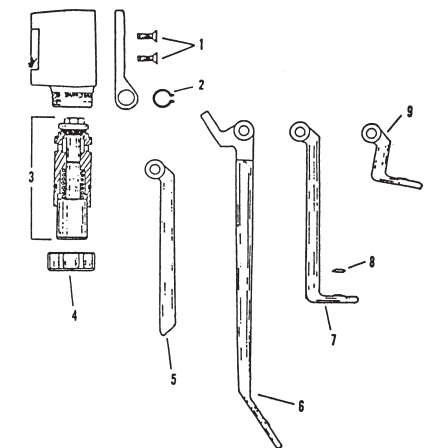
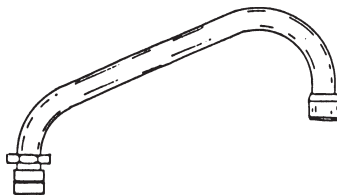
PART # 2230210



FISHER SWING SPOUTS

For 1/2" inlet faucets

PART #	DESCRIPTION
2233960	6" Tubular swing spout
2233961	8" Tubular swing spout
2230270	12" Tubular swing spout
40130054	14" Tubular swing spout
40130052	16" Tubular swing spout



PEDAL VALVE PARTS

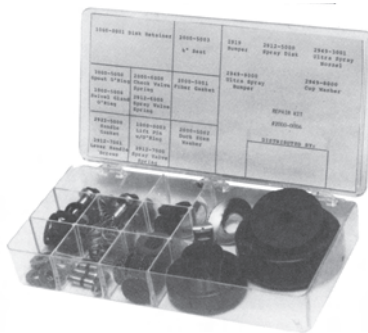
ITEM	PART #	DESCRIPTION
1	3070-7000	Screw
2	2233070	Snap ring
3	2230264	Cylinder
4	2233071	Bonnet nut
5	2233074	Knee pedal
6	2233076	Wall pedal-rough
7	2232403	Elevated floor pedal-rough – NLA
8	2238000	Red button
	2238001	Blue button
9	2232402	Floor pedal-rough
	2234030	Body o-ring for item #3



MASTER REPAIR KIT #1

Handy for the maintenance of glass fillers, faucet stems and spray valves. The kit contains the following: Seat Washers, Prong Axle Screws, Springs for spray valves, Seat Screws, Packing Washers, Spout O-Rings, Handle Screws, Index Buttons.

PART #2230202



MASTER REPAIR KIT #2

A more comprehensive kit that contains everything in 2230202 plus the following: Spray valve bumpers & Disks Ultra-Spray Nozzle & Cap washer, Check valve spring, Spray valve handle gaskets.

PART #2230203 Repair kit



TOTAL MAINTENANCE SOLUTIONS

HOUSTON
800/392-5066

ORLANDO
800/327-3022

GREENVILLE
800/476-2212

LOOK FOR US ON THE WEB AT: www.TMSSouth.com